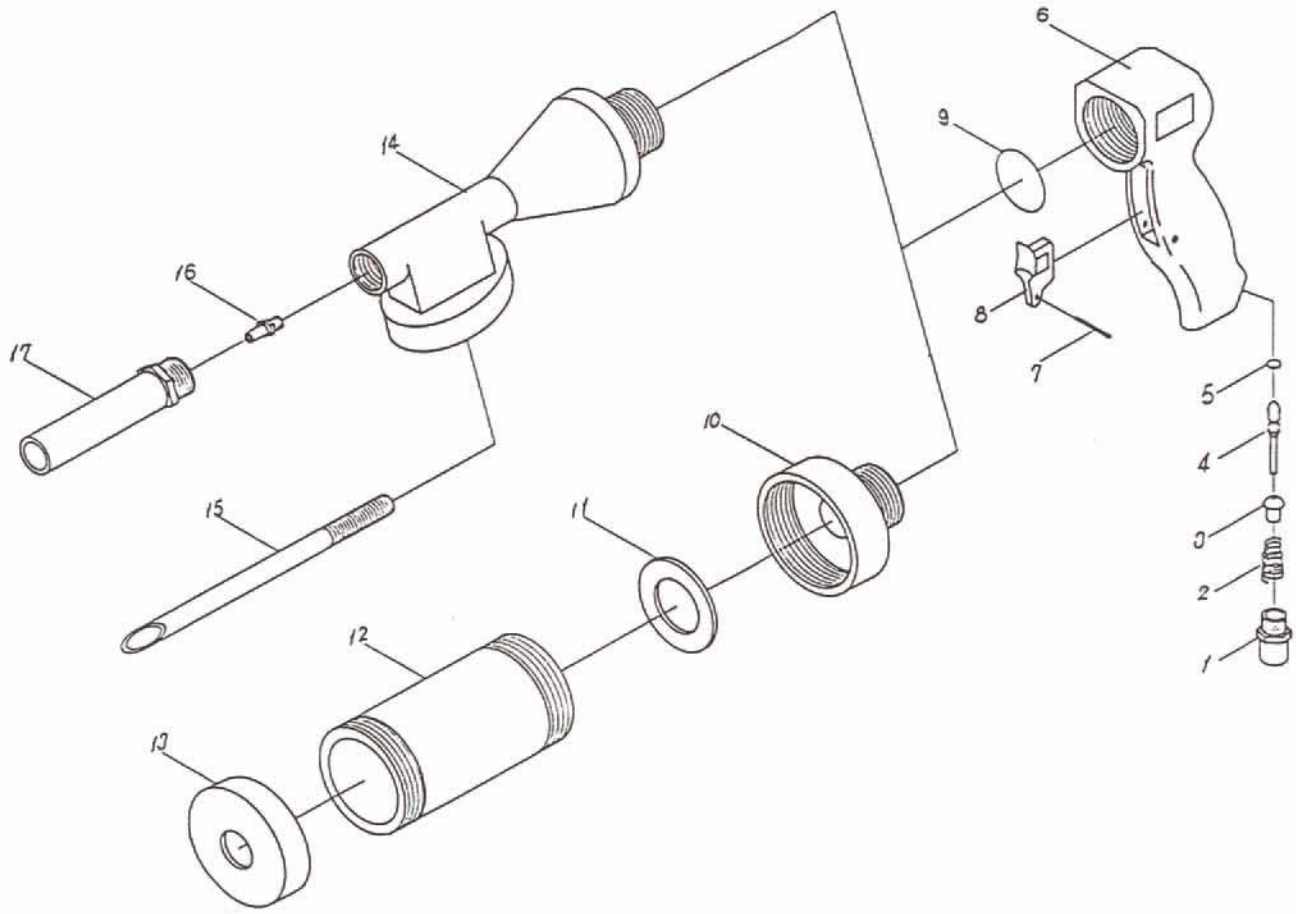


Call 1.800.221.9705 for questions concerning performance of the product, local distributors or other inquiries.



AIR CAULKING GUN

Specifications:

Operation PSI..... 50-60 PSI
 Hose Size.....3/8" ID
 Air Inlet Size..... 1/4" NPT
 Net Weight.....2.3 LBS
 Caulking Tube Size..... ϕ 2" x L 8½"

AIR UNDERCOATING GUN

Specifications:

Operation PSI..... 60-90 PSI
 Hose Size.....3/8" ID
 Air Inlet Size..... 1/4" NPT
 Net Weight.....1.36 LBS
 Air Consumption......8 CFM

Ref. No.	Description	Q'ty	Ref. No.	Description	Q'ty
1	Inlet Bushing	1	10	Adaptor	1
2	Valve Spring	1	11	Seal	1
3	Valve Ball	1	12	Tube	1
4	Valve Stem	1	13	End Cap	1
5	O-Ring	1	14	Head	1
6	Handle	1	15	Tube	1
7	Pin	1	15	Tube	1
8	Trigger	1	16	Air Nozzle	1
9	O-Ring	1	17	Nose Piece	1